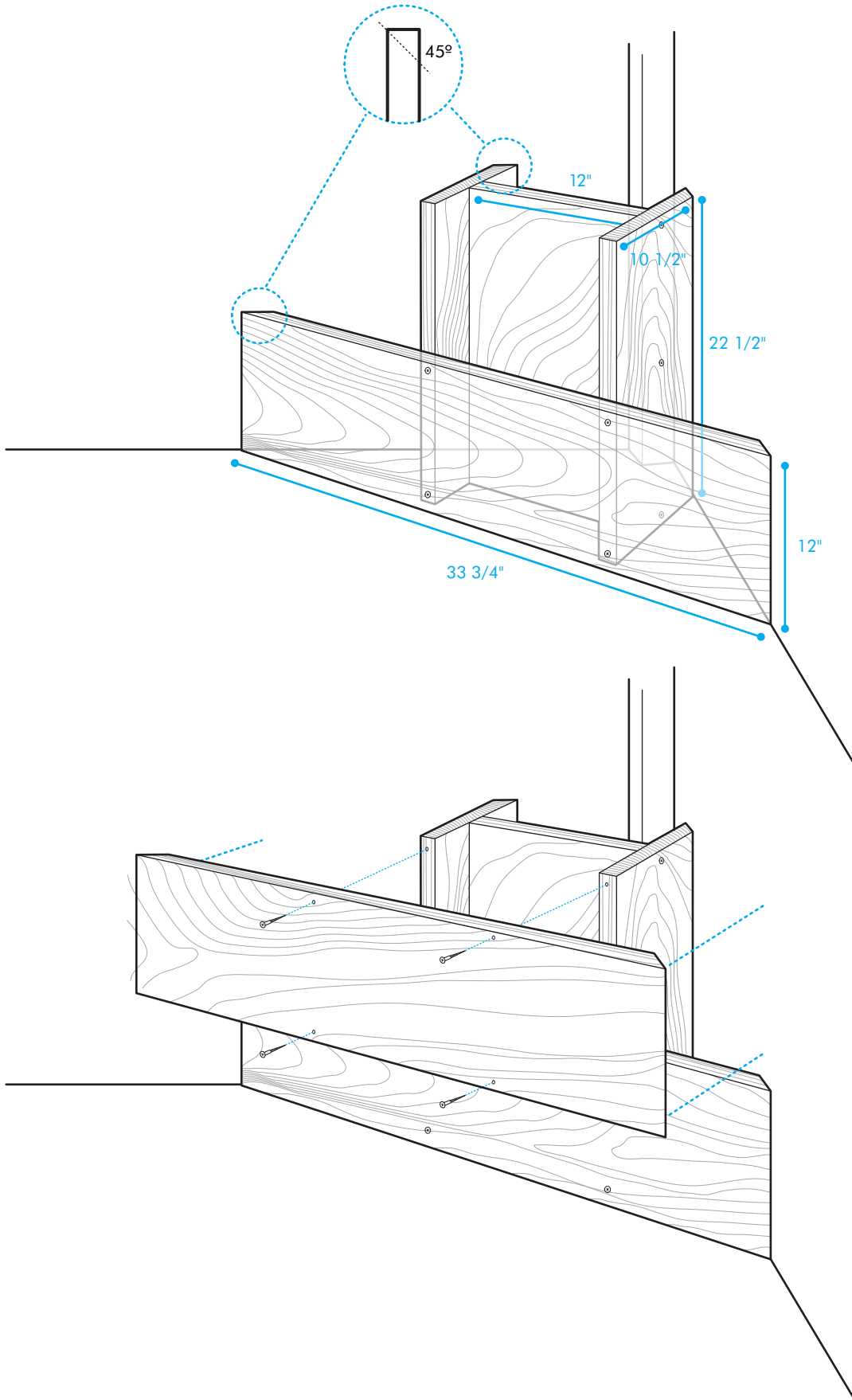


TEMPLATE



TEMPLATE

Corner Storage

This angled wooden bin creates storage space for stakes, long-handled garden tools, rolls of wire mesh, and other garden materials.

Tools and Materials:

- Electric drill
- Three 1-by-12-inch boards: two cut to 10 1/2 inches wide and 22 1/2 inches long and the remaining one cut to 22 1/2 inches long (for H-shaped piece)
- Fourteen 1 1/2-inch wood screws
- Four 2-inch L brackets
- Sixteen 3/4-inch wood screws (for L brackets)
- Two 1-by-12-inch boards, both 33 3/4 inches long (for front panels)

1. To make the H-shaped piece: Predrill 3 holes lengthwise down the center of each 10 1/2-inch-wide board. The top and bottom holes should be 1 inch from the edges; center the third hole. Using three 1 1/2-inch screws, attach the first 10 1/2-inch board to 1 long end of the remaining board. Repeat on the other side. Place in desired corner.
2. Secure the H-shaped piece to the floor with the 4 L brackets. To attach them: Place 2 along the bottom of one 10 1/2-inch-wide board, 1 inch from each end, and secure each bracket with four 3/4-inch screws. Repeat on the other side.
3. To attach the lower front panel: Situate 1 board flush against the H-shaped piece so both ends of the board touch a wall, as shown in the illustration. Predrill 4 holes in the panel where it meets the H-shaped piece: two 1 inch from the top edge and two 1 inch from the bottom to make a square, as shown in the illustration. Secure the panel to the H-shaped piece using four 1 1/2-inch screws.
4. To attach the upper front panel: Predrill 4 holes, and insert four 1 1/2-inch screws, following the same method used to secure the lower panel.

Tip: We chose to miter the edges of the boards so that they would sit flush against the walls. (You'll see this reflected in the illustration in the 2 front panels, as well as in the 2 interior edges of the H-shaped piece.) Although this extra step isn't necessary, the angles make for a cleaner look and allow you to drill screws directly into the wall, eliminating the need for L brackets. (You'll need 8 more 1 1/2-inch screws, one for each corner on the front panels.) To make these angled cuts, use a table saw.