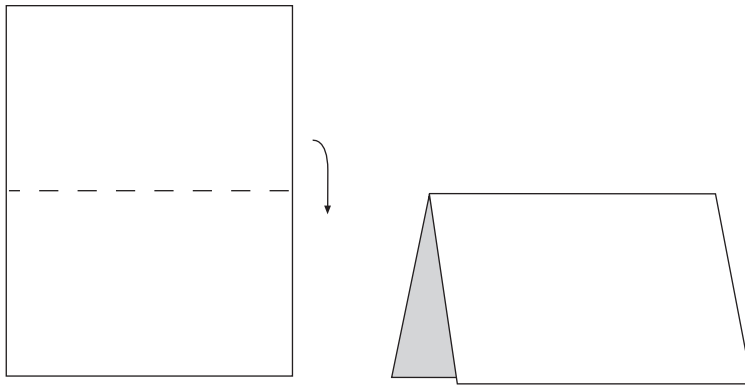
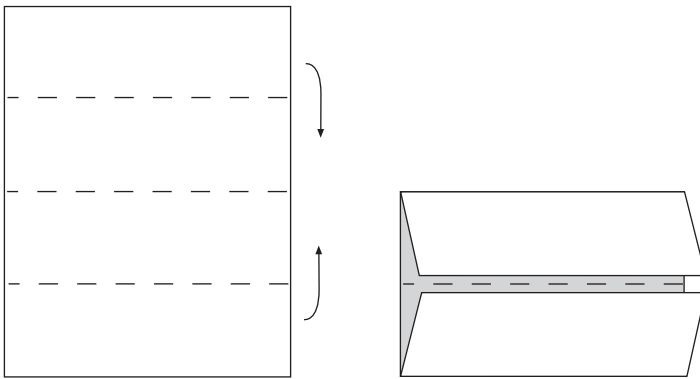


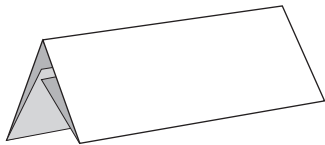
INSTRUCTIONS



1. Fold an 8-1/2-by-11-inch sheet of plain white paper in half, and crease..

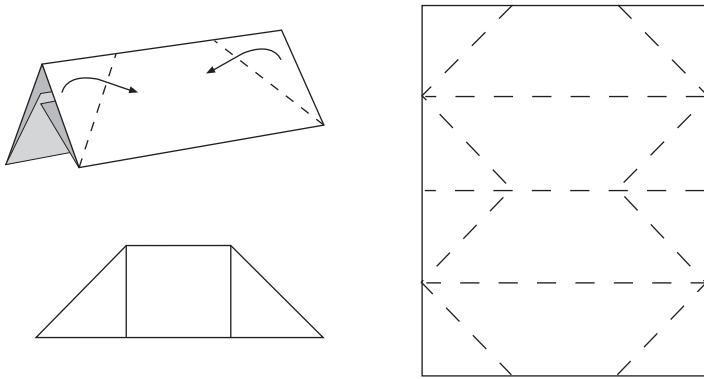


2. Unfold, then fold top and bottom edges toward the center. Crease.

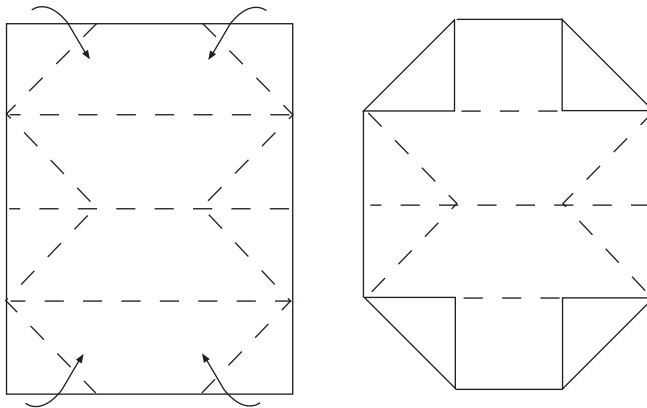


3. Fold paper in half again along the center line.

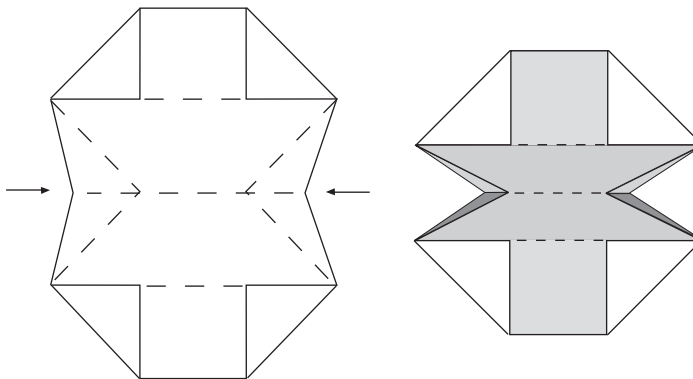
INSTRUCTIONS



4. Fold corners in at a 45-degree angle, and crease. Unfold paper all the way.

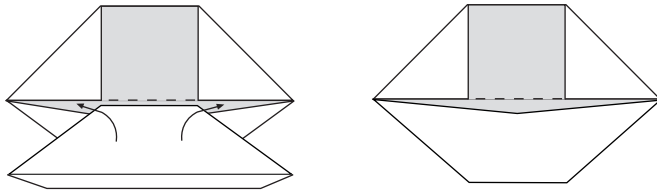


5. Fold top and bottom corners inward.

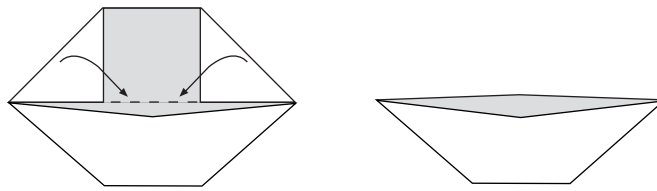


6. Fold in half along the center line, "pinching in" the sides of the boat.

INSTRUCTIONS



7. Press the 2 side indentations flat against the inside front of the boat with your fingertips, and fold the bottom flap over the side indentations to the center of the boat.



8. Now fold the top flap into the center of the boat. The hull of the little boat is now complete.

9. A bamboo skewer serves perfectly as a mast. To make the flag at the very top of the mast, cut a thin rectangle out of blue origami paper or ribbon, fold it in half around the blunt tip of the skewer, and use a glue stick (or fabric glue for ribbon) to paste the facing sides together. Notch the end with scissors.

10. To make the sail, cut a trapezoid out of rice paper or other lightweight white paper. Make small slits at the top and bottom of the sail, and pull the skewer through. Plunge the skewer through the bottom of the boat and into the cake before serving; this will keep the sail aloft and anchor the boat.

